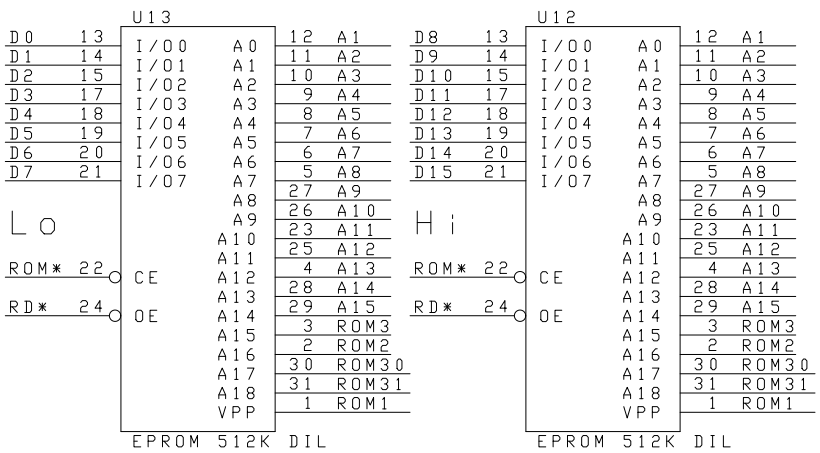
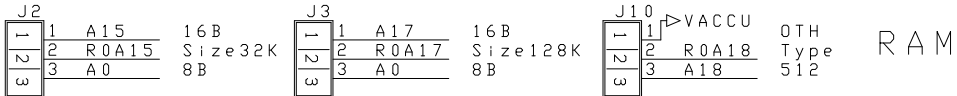
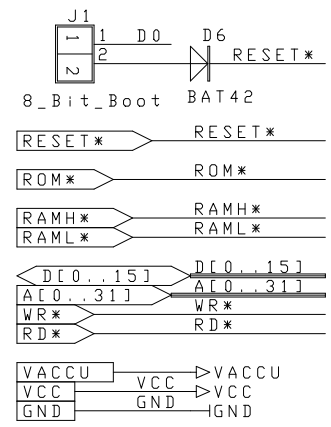


32/128/512KB RAMs



Type	>1M/<1M	040/0TH	FLS/EP	OTH/256	Capacity
27C256	VCC	---	---	VCC	64KB
27C512	VCC	---	---	A16	128KB
27C010	---	PGM	VCC	A16	256KB
8Bit	---	PGM	VCC	A16	128KB
27C020	A18	PGM	VCC	A16	512KB
27C040	A18	A19	VCC	A16	1024KB
29F010	---	WE*	---	A16	256KB
8Bit	---	WE*	---	A16	128KB
29F040	A18	WE*	A19	A16	1024KB

EPROM
EEPROM



MCT Paul & Scherer Mikrocomputertechnik GmbH		
Title		
SCOTTY332 (</LC) Memory		
Size	Document Number	REV
A		
Date:	September 18, 1995	Sheet 2 of